



**ITB**  
BERLIN

The World's  
Leading  
Travel Trade  
Show®

## NEW: MEETING CUBE

### ROOM BOOKING FOR HOURLY RENTAL

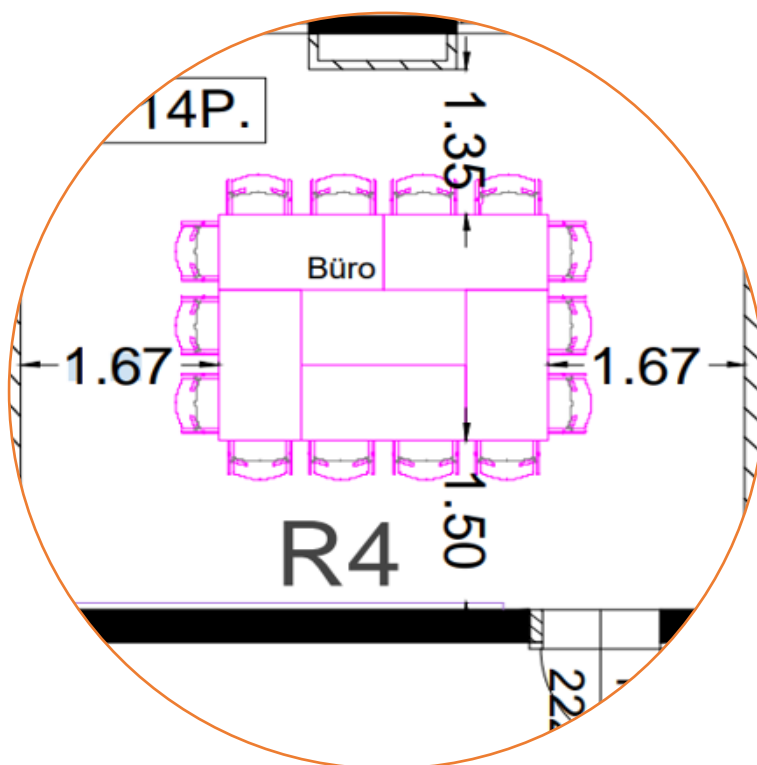
Are you looking for a private room for short and confidential meetings in a smaller circle? Then our new hourly room rental offer, the Meeting Cube, is exactly what you are looking for!

The equipment of the rooms on third floor of CityCube Berlin leaves nothing to be desired:

- block seating for max. 14 persons
- 55" monitor to show presentations
- water dispenser and coffee machine

It's as simple as that: Get to the Meeting Cube at the booked time, hold your meeting and continue your visit at ITB Berlin after just 1 hour.

►► **Price: 295,00 € incl. VAT**





**ITB**  
BERLIN

The World's  
Leading  
Travel Trade  
Show®

## NEW: MEETING CUBE

The most important facts at a glance!	
Question	Answer
Can non-exhibitors also book the Meeting Cube?	No, slots in the Meeting Cube can only be booked by ITB Berlin 2024 (co-) exhibitors. If you need meeting tables on the exhibition grounds, you can book a table in one of our Business Satellites. For questions please contact <a href="mailto:itb@messe-berlin.de">itb@messe-berlin.de</a> .
Where are the Meeting Cubes located?	The Meeting Cubes are located in Room R4 and R5 of the CityCube Berlin on the ITB Berlin grounds.  Level 3 CityCube Berlin Messedamm 26 14055 Berlin
Is a ticket required to get to the Meeting Cube?	Yes, every person attending needs a valid ITB Berlin ticket. Please note the different admission times. For example, persons with a trade visitor ticket can enter the ITB Berlin exhibition grounds from 9:30 a.m. onwards.
What is included in the usage fee?	The flat rate includes 1 hour of use including basic technical equipment, power supply, cleaning as well as self-service at a water dispenser and fully automatic coffee machine. The included basic equipment of the Meeting Cube consists of: - block seating for a maximum of 14 people - 55" display (16:9, HDMI) - connection for laptop (HDMI; DVI/VGA not possible).
How long can I use the Meeting Cube?	The room is accessible for a maximum of 1 hour per slot booking. Please allow enough time for preparation and follow-up of your meeting. A maximum of 2 slots may be booked per company.
When should I book a slot in the Meeting Cube?	As soon as possible, capacities are limited. A maximum of 2 slots may be booked per company. Cancellation is not possible. Available time slots can be seen within the booking mask in real time.
Does the Meeting Cube provide a laptop?	No, laptop is not included and must be brought by yourself (HDMI cable available, DVI/VGA not possible).
What resolution does the screen have?	The monitor has a resolution of 16:9.
Can the seating or technical equipment be changed?	The Meeting Cubes are equipped with block seating as well as a monitor. Changes cannot be made.
Is there an internet connection in the Meeting Cube?	A free basic WiFi is available for all trade visitors and exhibitors on the entire exhibition grounds. This is only suitable for simple mail traffic. A separate internet connection cannot be booked.
Is catering included in the booking and is it possible to have catering?	A water dispenser and fully automatic coffee machine incl. crockery are included in the usage fee. Further catering options cannot be booked.
Where do I get the key to the room?	The room will be opened for you before the meeting.

FOR FURTHER QUESTIONS  
PLEASE CONTACT



[ITB-roombooking@messe-berlin.de](mailto:ITB-roombooking@messe-berlin.de)